

EGG BOILER

iBELL® 



IBL EG006Y

**BOILS UPTO
6 EGGS**

INSTRUCTION MANUAL

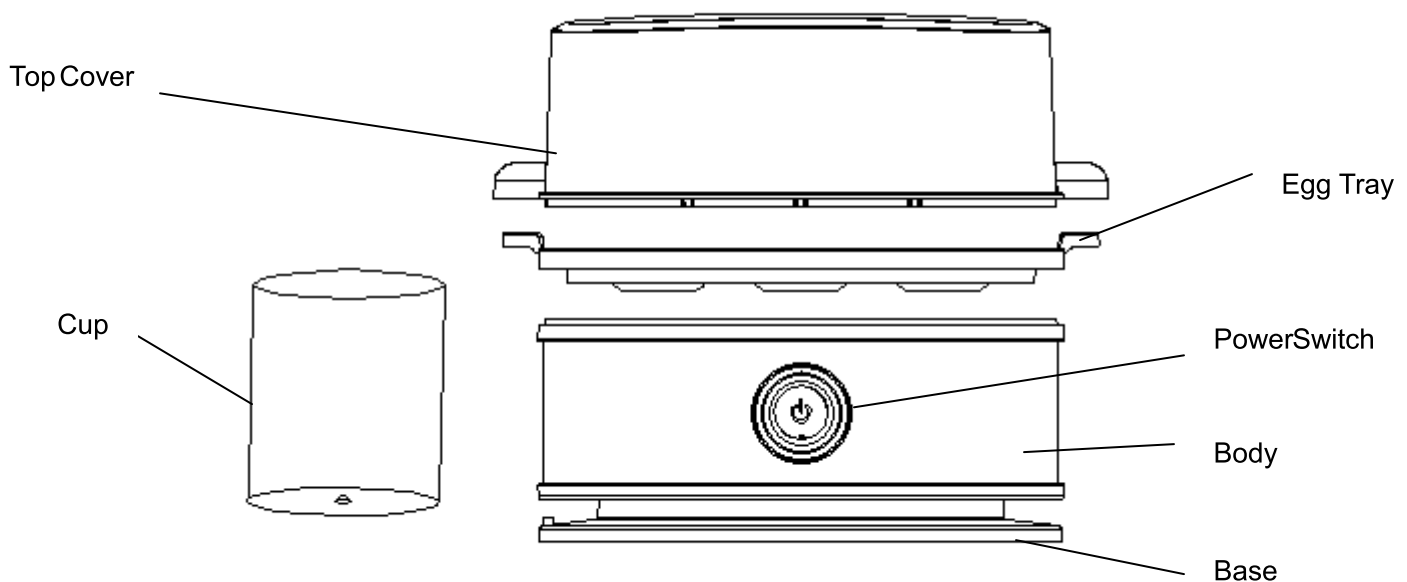
Introduction

Thanks for using iBELL  brand automatic egg boiler!

This product features novel appearance, smooth line and beautiful shape. An efficient, safe, power-saving, fast and time-saving flat heating plate is adopted for this unit; It produces no pollution during use and it is in accordance with the drinking water hygienic standard; It is one of the ideal breakfasts as the eggs can be kept fresh and nutritious after being steamed and boiled. This product is for family use only.

Parts Name and Exploded View

Attention: Please do not put the bowl on the heating plate directly when boiling eggs. Do not use bowl until it is put on the shelf.



Features

- 1-PTC heating, healthy and easy to wash;
- 2-Fashionable appearance, sophisticated workmanship and easy and fast operation;
- 3-Safe automatic power turn-off and over-temperature protection functions;
- 4-Offering the eggs as you like;
- 5-Boiled eggs can be kept fresh, tender and nutritious through boiling;
- 6-Suitable for steaming different foods such as eggs and buns;
- 7- Indicator light indicates work and power will be turned off automatically when water dried.

Notice before Use

- 1- Unwrap its packages.
- 2- Check whether the voltage indicated on the rating label is consistent with your voltage used.
- 3- Please use a ground power.
- 4- For the first use, please wash or boil it with water twice and pour away the residual water.

How to Use

1. Steam egg: Add appropriate water (Please refer to the table below for specific water volume) with a cup according to your own favor, put based on your favor, put the eggs on the shelf stably and then get the top cover on.

(It is for your reference only and you can make adjustments according your experience)

Doneness	Water Volume	Number of egg	time
Medium	35mL	1	9.5min
Medium well	40mL	1	11.4min
Well done	60mL	1	16.5min

Doneness	Water Volume	Number of egg	time
Medium	30mL	2	8.6min
Medium well	40mL	2	11.7min
Well done	55mL	2	17.5min

Doneness	Water Volume	Number of egg	time
Medium	30mL	3	10.5min
Medium well	35mL	3	12.5min
Well done	50mL	3	16.5min

Doneness	Water Volume	Number of egg	time
Medium	25mL	4	9.8min
Medium well	30mL	4	11.5min
Well done	45mL	4	18.6min

Doneness	Water Volume	Number of egg	time
Medium	25mL	5	9.9min
Medium well	30mL	5	13.5min
Well done	45mL	5	18.6min

Doneness	Water Volume	Number of egg	time
Medium	25mL	6	8.5min
Medium well	30mL	6	13.8min
Well done	40mL	6	18.8min

2. Connect the power, press down the power button and the indicator lights which has shown that the egg boiler is working. Provided the indicator lights once the power is connected, it shows the power is connected and the egg boiler has been working directly and please do not press the power button any more.
3. The power will be turned off once the water in the egg boiler is dry-boiled and it will indicate the steamed egg is ready when the indicator lights.
4. If necessary, you may pull out the plug to cut off the power during the cooking process.

Attention:

1-In order to avoid crack on the egg shell, please strike several small holes on the big part of the egg with an egg pin at the bottom of the measuring cup before cooking and then put the small part on the shelf.

2-Put the steamed egg into cold water and it will be easier to shell and more delicious to taste.

Cautions:

- 1-Please keep the child away when this unit is working.
- 2-Do not connect the power when the cover is left off so as to avoid any personal injury caused by the spilt boiling water.
- 3-Do not use it in your absence.
- 4-The egg boiler shall be put on a solid platform during use. Do not press too hard so as to avoid any damage of the power switch.
- 5-The unit shall not be used on the surface or in the vicinity of a heat-labile object such as carpet and plastics. Do not put those which will be dampened by steam on the top of this unit.
- 6-Do not add the water or pull out the plug when the water is dry-boiled. Please do not touch the heating plate so as to protect yourself from being scaled.
- 7-Be cautious about the steam from the vent so as to prevent yourself being scaled.
- 8-No liquid entry is allowed in the internal egg boiler so as to avoid any danger.
- 9-Any replacement shall be made by the full-time personnel from the manufacturer or a department which is similar with a maintenance and repair service center once the power cord is damaged so as to avoid any danger.

10-This appliance is not intended for use by persons (including children) with reduced physical, sensory or mental capabilities, or lack of experience and knowledge, unless they have been given supervision or instruction concerning use of the appliance by a person responsible for their safety.

11- Avoid injuries from the egg pricker;

12- This appliance is intended to be used in household and similar applications such as:

- **staff kitchen areas in shops, offices and other working environments;**
- **farm houses;**
- **by clients in hotels, motels and other residential type environments;**
- **bed and breakfast type environments.**

Children should be supervised to ensure that they do not play with the appliance.

Maintenance and Repairs

- 1- Please pull out the plug from the socket after use.
- 2- Do not clean it until the power is turned off and the egg boiler is cooled.
- 3- The shelf and cover can be cleaned with a washing detergent or sponge. Do not clean with a hard steel wire so as to avoid any surface damage.
- 4- Do not put the whole unit into the water to wash. The machine surface can be wiped with a wet towel. It is not allowed to be rinsed with water so as to avoid any electric leakage and occurrence of faults.
- 5- Please clean and wipe the unit and put it into its packages if you want to lay it up for a long time. Put it in a ventilated and dry place so as to avoid being dampened to cause any problems on its normal use.

Analysis on Frequently-asked Questions

- 1- Indicator light does not work:
 - a. Power failure?
 - b. Whether the power cord is plugged in the socket?
 - c. Whether the socket power is on?
 - d. Whether the power button has been pressed yet?
- 2- Egg is over done or under done
 - A. Whether the water is too much or not enough (It will appear over done with too much water and under done with insufficient water)?

Remarks: If those faults are still unresolved with above-mentioned analysis or any other faults exist, please contact our maintenance and repair service points or dealers. A non-authorized personnel is not allowed to disassemble this product without permission.

Specifications

Description	Egg Boiler
Model	IBL EG006Y
Rated Voltage	220V-240V
Rated Frequency	50Hz
Rated Power	210W
Maximum egg volume	6
Dimension	206x133x142mm