

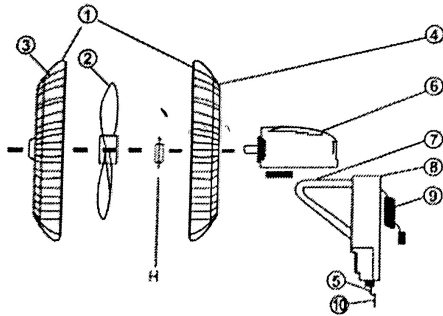
iBELL®

16" WALL FAN
IBL BLADE WF16



Please read carefully before use and keep for future reference

1. PARTS IDENTIFICATION



1	Guard
2	Blade
3	Guard clip
4	Handle
5	Clutch handle
6	Motor
7	knee joint
8	Stand
9	Cord
10	Switch, LAMP

2. HOW TO ASSEMBLE

- Turn the nut H counterclockwise and remove it.
- Place the rear guard in the proper position. Fit the protections into the guide holes of the guard.
- Turn the nut clockwise and tighten it completely.
- Pull out tube of the shaft.
- Tighten the screw to fasten the blade.
- Attach the front guard.

3. OPERATION

- The speed of the fan can be controlled by a digital indicating device. Pull the string the fan will start with "1" displayed. Further pulling the string, the fan will speed up with the digital displaying "2" or "3" respectively, when the device displays "0" again, the fan stops.
- To change the direction of the air flow, push the edge of the guard to the desired position.
- The fan will start oscillating you push the handle, and stop oscillating push the handle

4. PAY PARTICULAR ATTENTION TO THE FOLLOWING:

1. Use only with rated Voltage.
2. Do not use acids, chemicals oils, etc have been used.

5. GUIDE TO BETTER MAINTENANCE

1. Keep dry Never be of excessive humidity and water
2. Keep the fan clean. Wipe away dirt with a clean soft cloth, ordinary soap and water, wipe dry, Do not use solvents...etc. [gasoline or petroleum.]